



330W PERC Module

JAM60S12 305-330/PR/1000V Series

Introduction

Powered by high-efficiency PERCIUM cells, this series of high-performance modules provides the most cost-effective solution for lowering the LCOE of any PV systems large or small.



5 busbar solar cell design



Higher output power



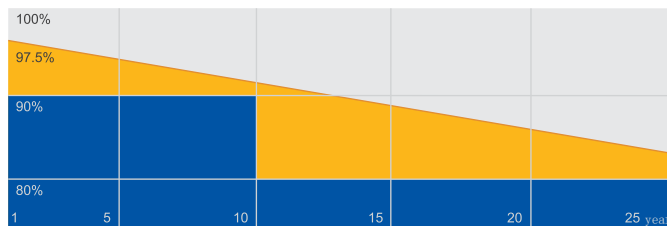
Excellent low-light performance



Lower temperature coefficient

Superior Warranty

- 12-year product warranty
- 25-year linear power output warranty



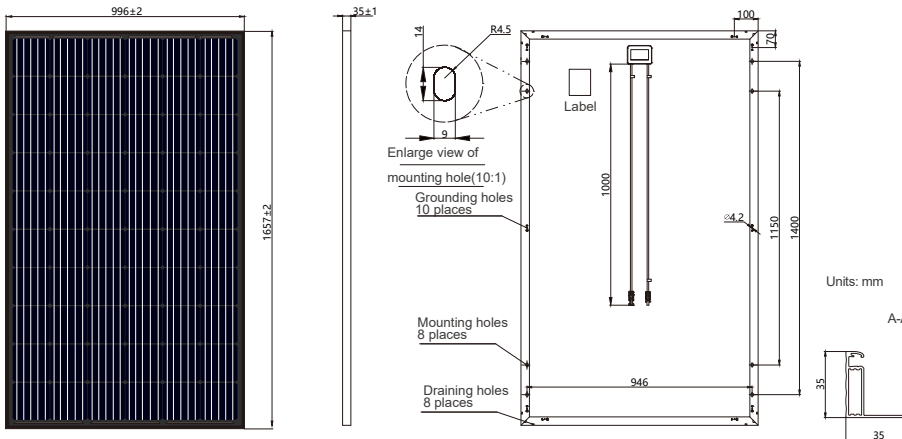
■ JA Linear Power Warranty ■ Industry Warranty

Comprehensive Certificates

- IEC 61215, IEC 61730
- ISO 9001: 2015 Quality management systems
- ISO 14001: 2015 Environmental management systems
- OHSAS 18001: 2007 Occupational health and safety management systems



MECHANICAL DIAGRAMS



SPECIFICATIONS

Cell	Mono
Weight	18.4kg±3%
Dimensions	1657±2mm×996±2mm×35±1mm
Cable Cross Section Size	4mm ²
No. of cells	60(6x10)
Connector	Genuine MC4 QC4.10
Country of Manufacturer	China/Vietnam

Remark: customized frame color and cable length available upon request

ELECTRICAL PARAMETERS AT STC

TYPE	JAM60S12 -305/PR/1000V	JAM60S12 -310/PR/1000V	JAM60S12 -315/PR/1000V	JAM60S12 -320/PR/1000V	JAM60S12 -325/PR/1000V	JAM60S12 -330/PR/1000V
Rated Maximum Power(Pmax) [W]	305	310	315	320	325	330
Open Circuit Voltage(Voc) [V]	40.02	40.30	40.53	40.78	41.04	41.30
Maximum Power Voltage(Vmp) [V]	32.31	32.60	32.89	33.17	33.44	33.75
Short Circuit Current(Isc) [A]	9.97	10.04	10.11	10.18	10.25	10.32
Maximum Power Current(Imp) [A]	9.44	9.51	9.58	9.65	9.72	9.78
Module Efficiency [%]	18.5	18.8	19.1	19.4	19.7	20.0
Power Tolerance	0~+5W					
Temperature Coefficient of Isc(α _{Isc})	+0.060%/°C					
Temperature Coefficient of Voc(β _{Voc})	-0.300%/°C					
Temperature Coefficient of Pmax(γ _{Pmp})	-0.370%/°C					
STC	Irradiance 1000W/m ² , cell temperature 25°C, AM1.5G					

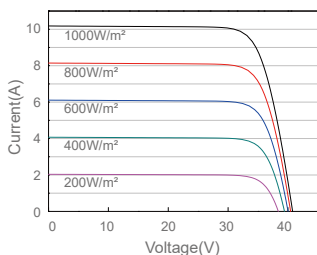
Remark: Electrical data in this catalog do not refer to a single module and they are not part of the offer. They only serve for comparison among different module types. Measurement tolerance at STC: Pmax ±3%, Voc ±2% and Isc ±4%.

ELECTRICAL PARAMETERS AT NOCT

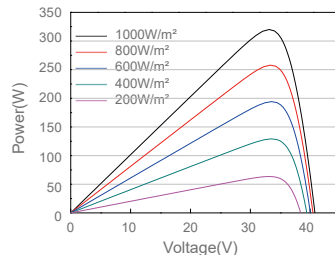
TYPE	JAM60S12 -305/PR/1000V	JAM60S12 -310/PR/1000V	JAM60S12 -315/PR/1000V	JAM60S12 -320/PR/1000V	JAM60S12 -325/PR/1000V	JAM60S12 -330/PR/1000V	OPERATING CONDITIONS	
Rated Max Power(Pmax) [W]	226	229	233	237	241	244	Maximum System Voltage	1000V DC(IEC)
Open Circuit Voltage(Voc) [V]	37.64	37.95	38.25	38.56	38.85	39.16	Operating Temperature	-40°C~+85°C
Max Power Voltage(Vmp) [V]	30.34	30.67	31.00	31.32	31.64	31.96	Maximum Series Fuse	20A
Short Circuit Current(Isc) [A]	7.88	7.93	7.97	8.01	8.05	8.09	Maximum Static Load,Front	3600Pa, 1.5
Max Power Current(Imp) [A]	7.44	7.48	7.52	7.56	7.60	7.64	Maximum Static Load,Back	1600Pa, 1.5
NOCT	Irradiance 800W/m ² , ambient temperature 20°C, wind speed 1m/s, AM1.5G						NOCT	45±2°C
							Application Class	ClassA

CHARACTERISTICS

Current-Voltage Curve JAM60S12-320/PR/1000V



Power-Voltage Curve JAM60S12-320/PR/1000V



Current-Voltage Curve JAM60S12-320/PR/1000V

